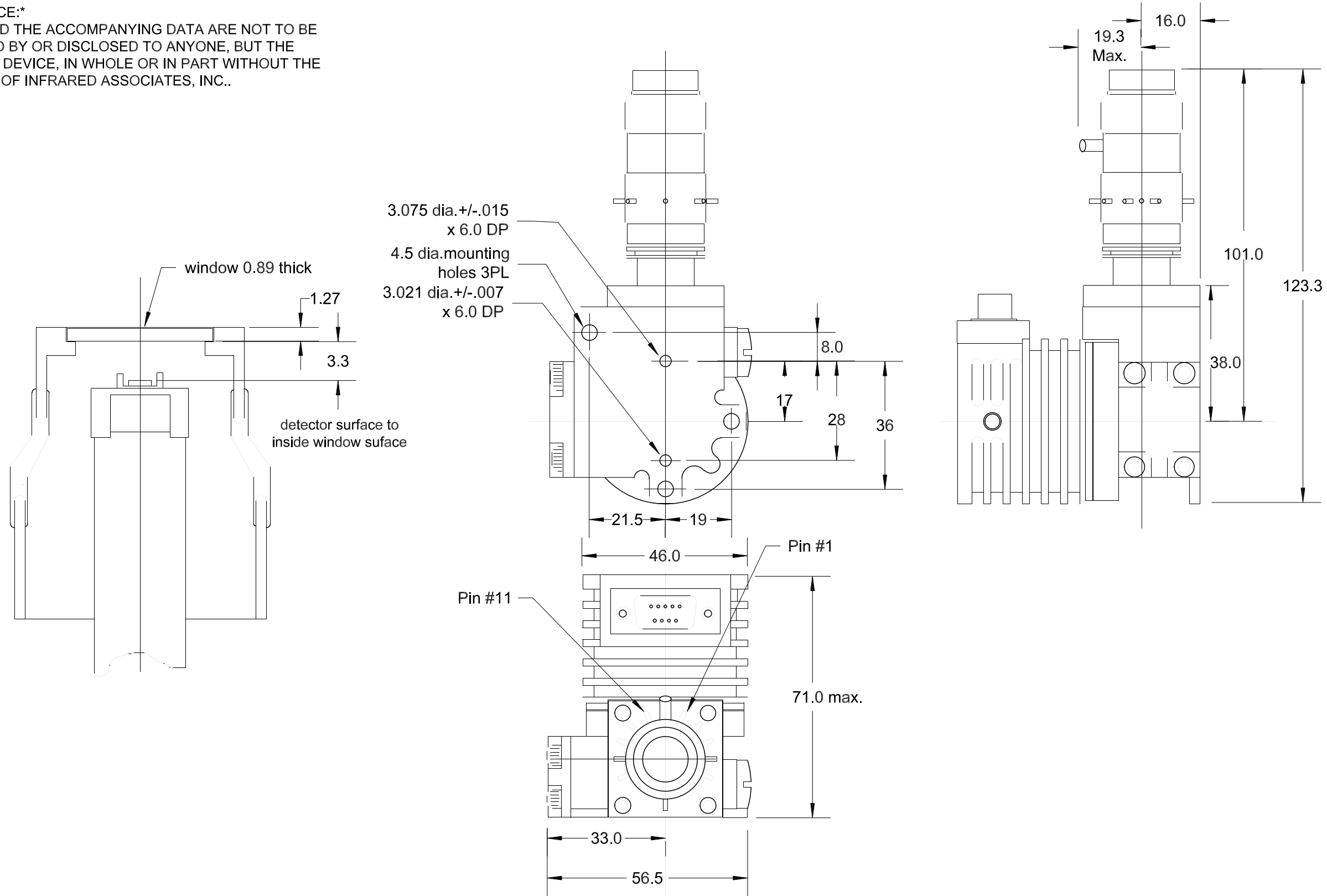


PROPRIETARY NOTICE:
 THIS DOCUMENT AND THE ACCOMPANYING DATA ARE NOT TO BE REPRODUCED, USED BY OR DISCLOSED TO ANYONE, BUT THE CUSTOMER OF SAID DEVICE, IN WHOLE OR IN PART WITHOUT THE EXPRESS CONSENT OF INFRARED ASSOCIATES, INC..



DIMENSIONS UNLESS OTHERWISE SPECIFIED ARE IN MM.
 TOLERANCES:
 FRACTIONS: +/- 1/64, ANGLES +/- 0.5 DEGREES.
 3 PLACE DECIMALS +/- 0.005
 2 PLACE DECIMALS +/- 0.02
 MATERIAL

SEE NOTES

FINISH
 N.A.

DO NOT SCALE		EUROPE PROJECTION	
PREPARED	BY: F. W. Rothe	07/01/2003	
CHECKED	A. Lucidi	09/04/2003	
ENGINEERING			
PRODUCTION			
QUALITY			
SCALE: N.A.	SHEET 1 OF 1	SIZE	FSCM NO.
JOB NO.	NEXT ASSY	A	15737

Infrared Associates, Inc. Stuart, Florida 34997			
K-508C Detector Assembly, Extended			
DRAWING NO.	REV		
	A		