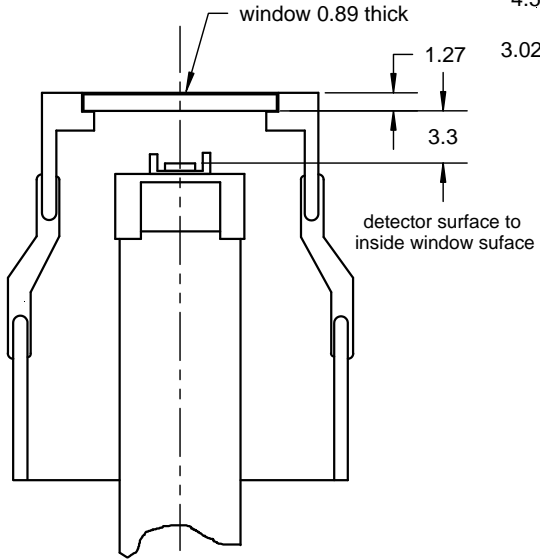
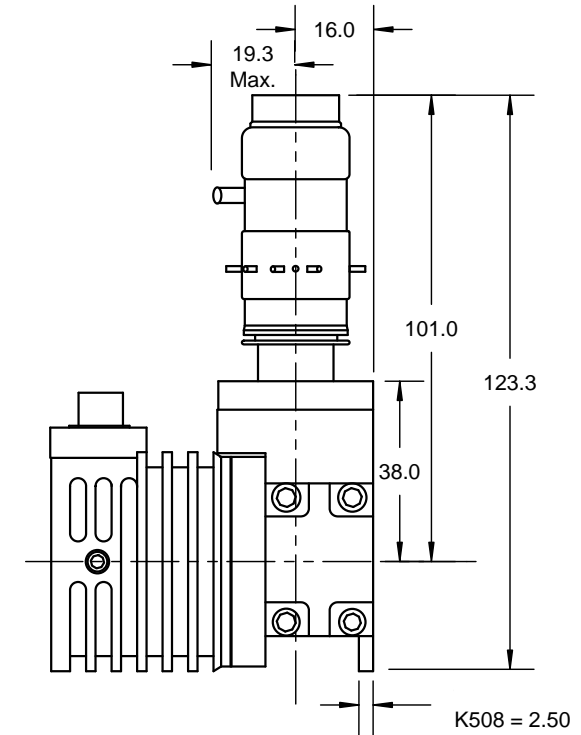
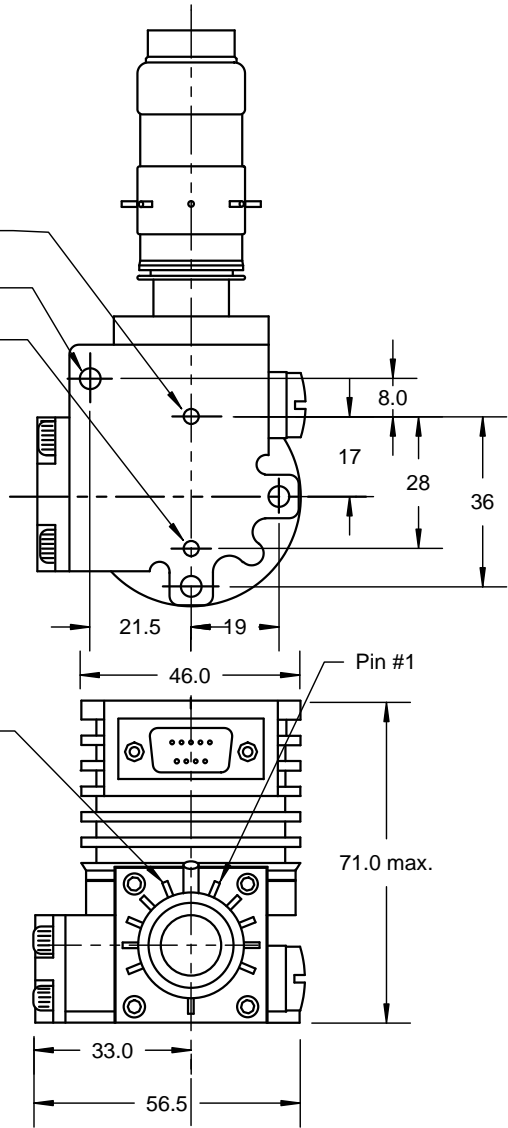


PROPRIETARY NOTICE:*
 THIS DOCUMENT AND THE ACCOMPANYING DATA ARE NOT TO BE REPRODUCED, USED BY OR DISCLOSED TO ANYONE, BUT THE CUSTOMER OF SAID DEVICE, IN WHOLE OR IN PART WITHOUT THE EXPRESS CONSENT OF INFRARED ASSOCIATES, INC..



3.075 dia. +/- .015
 x 6.0 DP
 4.5 dia. mounting
 holes 3PL
 3.021 dia. +/- .007
 x 6.0 DP



DIMENSIONS UNLESS OTHERWISE SPECIFIED ARE IN MM.
 TOLERANCES:
 FRACTIONS: +/- 1/64, ANGLES +/- 0.5 DEGREES.
 3 PLACE DECIMALS +/- 0.005
 2 PLACE DECIMALS +/- 0.02

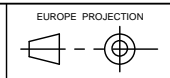
MATERIAL
 SEE NOTES

FINISH
 N.A.

DO NOT SCALE

PREPARED	BY: F. W. Rothe	07/01/2003
CHECKED	A. Lucidi	09/04/2003
ENGINEERING		
PRODUCTION		
QUALITY		

SCALE: N.A. SHEET 1 OF 1
 JOB NO. NEXT ASSY



Infrared Associates, Inc.
 Stuart, Florida 34997

K-508 Detector Assembly, Extended

SIZE	FSCM NO.	DRAWING NO.	REV
A	15737		