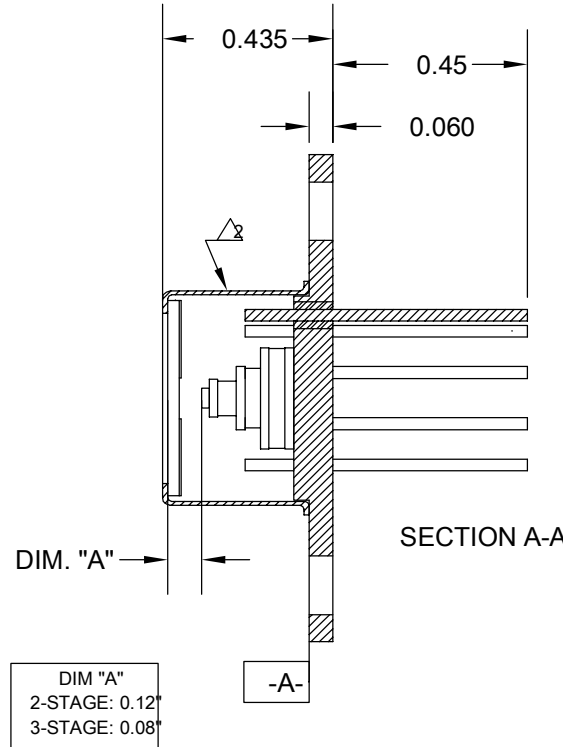
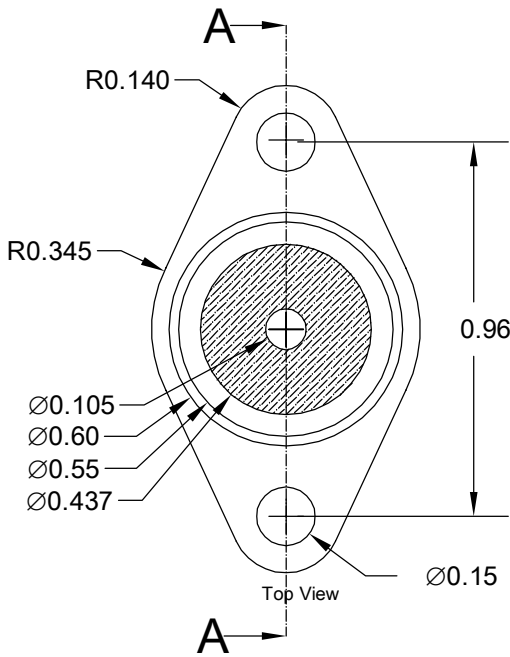


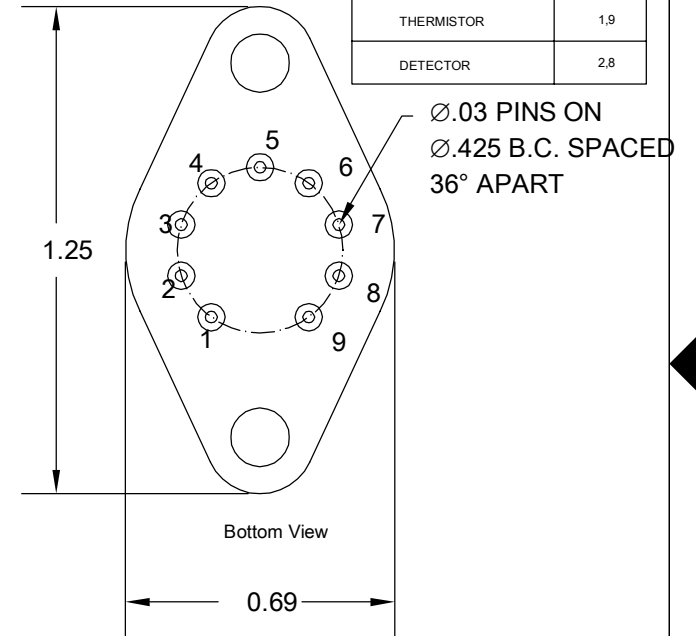
PROPRIETARY NOTICE:
 THIS DOCUMENT AND THE ACCOMPANYING DATA ARE NOT TO BE REPRODUCED, USED BY,
 OR DISCLOSED TO ANYONE, IN WHOLE OR IN PART, WITHOUT THE EXPRESS CONTENT
 OF INFRARED ASSOCIATES, INC.

REVISIONS

REV	DESCRIPTION	DATE	APPROVED
-	INITIAL RELEASE	10-1-10	
A	Corrected pin numbering on model	4-24-10	
B	Corrected pin length	1-14-16	



DIM "A"
 2-STAGE: 0.12"
 3-STAGE: 0.08"

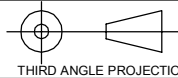


FUNCTION	PIN
COOLER -	4
COOLER +	6
THERMISTOR	1,9
DETECTOR	2,8

- NOTES:
 1. PIN NUMBERS FOR REFERENCE ONLY
 2. CAP NUMBER

DIMENSIONS UNLESS OTHERWISE SPECIFIED
 ARE IN INCHES
 TOLERANCES:
 FRACTIONS ± 1/64, ANGLES ± 0.5°
 .XX ± 0.005
 .XX ± 0.01

DO NOT
 SCALE



Infrared Associates, Inc.
 Stuart, Florida 34997

T.O. 66
 P.C. DETECTOR

Materials	Prepared	By	DATE
Finish	Checked	COLT JESSE	10-1-10
	Engineering		
	Production		
	Quality		
	Scale:		

SIZE	FSCM NO.	Drawing Number	REV
A		1800-0143	B